

**TORO**

Count on it.

CONTROLLER ACCESSORIES

# TFS SERIES

## Flow Sensors

A durable yet cost-effective flow sensing solution: The Toro TFS series flow sensors provide reliable flow information to aid in the detection of and response to system issues like piping breaks, while being accurate enough for tracking water usage.

Cost-effective plastic tee flow sensors sized for lower-flow applications. 1/2" and 3/4" sensors allow you to accurately monitor flows < 5 GPM



TFS-100 1"



TFS-075 3/4"



TFS-050 1/2"

### VERSATILITY

#### *Compatible with Competitor Controllers*

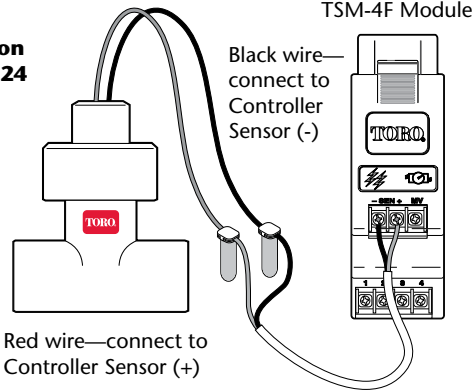
PVC tee flow sensors from 1/2" to 4" provide options for flow measurement from 1.2 to 500 GPM, making these sensors ideal for residential, commercial, municipal, and sports field applications.

### RELIABILITY

Durable, impeller-based sensor provides accurate flow information. Potted design withstands the elements and provides options for valve box mounting or direct burial.

### PEACE-OF-MIND

Coupled with the TMC-424 or one of Toro's other flow sensing control products, the TFS series provides a solution for the detection and isolation of system leaks or piping breaks, preventing washout or other damage.

**TORO****Count on it.****SPECIFICATIONS****TFS SERIES**  
Flow Sensors**Example:  
Sensor  
Connection  
to TMC-424****Controller Compatibility**

- Toro TMC-424
  - Toro TIS-360/480
  - Toro Sentinel®
  - Toro SitePro®
  - Irritrol MC-E
- Any controller or control system compatible with frequency output flow sensors (pulses per second proportional to flow velocity) including: Rain Bird® Maxicom2®, SiteControl and MDC, Hunter® ACC, WeatherTRAK® ET Pro2™, Calsense® and Rain Master™

**Specifying Information**

Model Number	Size	Description	Suggested Operating Range
TFS-050	1/2"	Flow Sensor, 1/2", Plastic Tee	1.2 – 12 GPM
TFS-075	3/4"	Flow Sensor, 3/4", Plastic Tee	2.7 – 28 GPM
TFS-100	1"	Flow Sensor, 1", Plastic Tee	5 – 50 GPM
TFS-150	1.5"	Flow Sensor, 1.5", Plastic Tee	5 – 100 GPM
TFS-200	2"	Flow Sensor, 2", Plastic Tee	10 – 200 GPM
TFS-300	3"	Flow Sensor, 3", Plastic Tee	20 – 300 GPM
TFS-400	4"	Flow Sensor, 4", Plastic Tee	40 – 500 GPM

**Feature and Benefit Highlights**

- Simple impeller-based design
- PVC tee sizes including 1/2", 3/4" and 1", all the way to 4"
- Effective flow monitoring in ranges from 1.2 GPM to 500 GPM
- Potted electronics designed for valve box or underground applications
- Sensor pre-installed in tee
- Removable sensor design for easy replacement without removal of tee



Teamed with the Toro TMC-424, 1/2", 3/4" and 1" sensors provide a cost-effective residential and light commercial flow monitoring and alarm system

**Specifications****1/2", 3/4" and 1" Flow Sensors**

- Socket End Tee
- Output: 2-wire, unscaled pulse. Pulse width 5msec +/-25%
- Frequency: 3.2 to 200 Hz
- Pressure Rating: Up to 150 psi
- Temperature Rating: Up to 140° F
- Flow Range: 2 – 20 feet per second
- Accuracy: +/- 3 to 5%
- Linearity/repeatability: ± 1.5 %

**Materials**

- Tee: Schedule 40 PVC
- Sensor Housing: Potted, PPS
- Impeller: 300SST
- Shaft: Tungsten Carbide
- Bearing: UHMWPE
- Wires: 18AWG direct burial irrigation wire (solid copper)

**1.5", 2", 3", and 4" Flow Sensors**

- Socket End Tee
- Output: 2-wire, unscaled pulse. Pulse width 5msec +/-25%
- Frequency: 3.2 to 200 Hz
- Pressure Rating: Up to 100 psi
- Temperature Rating: Up to 140° F
- Flow Range: 1/2 – 30 feet per second
- Accuracy: +/- 1%
- Linearity/repeatability: ± 0.3%

**Materials**

- Tee: Schedule 80 PVC
- Sensor Housing: Potted, PPS
- Impeller: Glass-filled nylon
- Shaft: Tungsten Carbide
- Bearing: UHMWPE
- Wires: 18AWG direct burial irrigation wire (solid copper)