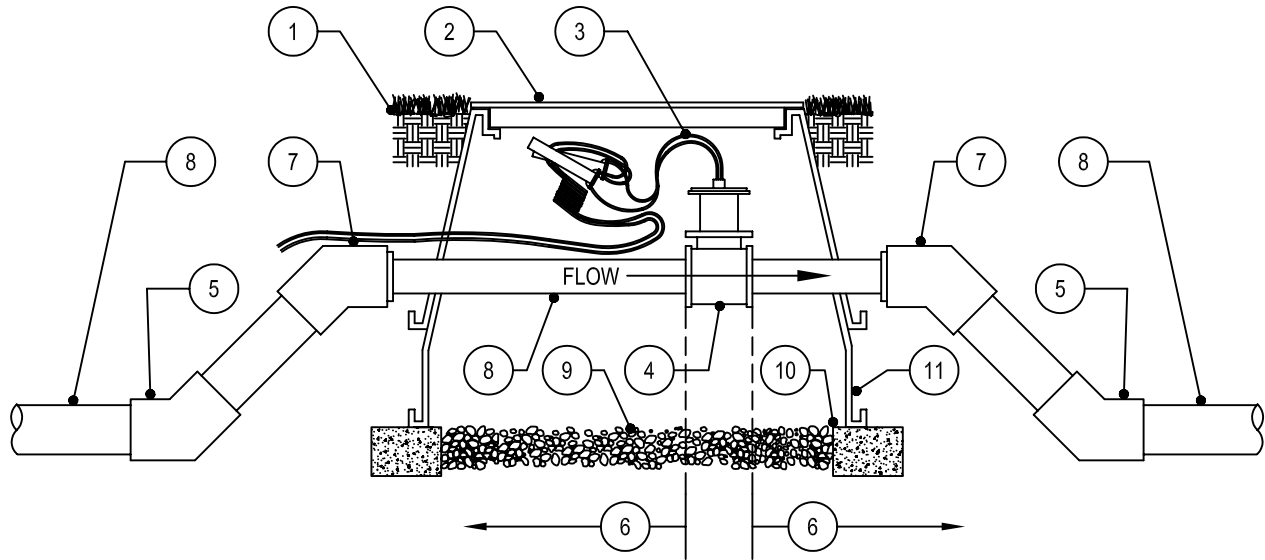




TORO-IRRIGATION DIVISION
 5825 JASMINE STREET
 RIVERSIDE, CA 92504
 TOLL FREE: 1-800-664-4740
 PHONE: (951) 785-3152
 FAX: (951) 359-1870
 www.toro.com



NOT TO SCALE

- | | |
|---|--|
| <ul style="list-style-type: none"> 1 FINISH GRADE 2 JUMBO VALVE BOX & COVER 3 CONTROL WIRES WITH 12" MIN. SERVICE COIL AND WATERPROOF WIRE SPLICE CONNECTORS - WIRE COLORS PER SPECIFICATIONS 4 FLOW SENSOR PER SPECIFICATIONS 5 PVC 45 DEGREE ELL (TYP.) 6 MINIMUM 10x PIPE DIAMETER UPSTREAM & MINIMUM 5x PIPE DIAMETER DOWNSTREAM OF STRAIGHT PIPE 7 PVC 45 DEGREE ELL (TYP.) BUSH DOWN TO FLOW METER SIZE AS NECESSARY | <ul style="list-style-type: none"> 8 PVC MAINLINE - LENGTH AS REQUIRED - SEE SPECIFICATIONS FOR TYPE AND DEPTH 9 GRAVEL (1 CU. FT.) 10 CONTINUOUS BRICK SUPPORTS 11 VALVE BOX EXTENSIONS AS REQUIRED |
|---|--|

NOTES:
 SEE PLANS, LEGEND AND SPECIFICATIONS FOR ADDITIONAL INSTALLATION NOTES.

NOTES:

1. INSTALLATION TO BE COMPLETED IN ACCORDANCE WITH MANUFACTURERS SPECIFICATIONS.
2. DO NOT SCALE DRAWINGS.
3. CONTRACTORS NOTE: FOR PRODUCT AND COMPANY INFORMATION VISIT www.CADdetails.com/info REFERENCE NUMBER 065-279.

