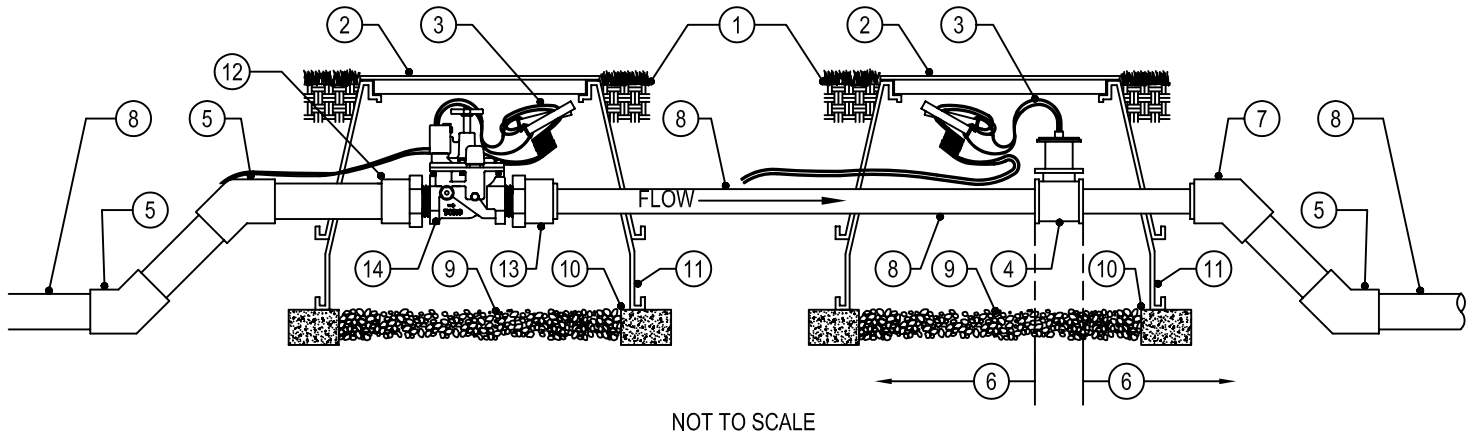


TORO

TORO-IRRIGATION DIVISION
 5825 JASMINE STREET
 RIVERSIDE, CA 92504
 TOLL FREE: 1-800-664-4740
 PHONE: (951) 785-3152
 FAX: (951) 359-1870
 www.toro.com

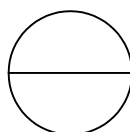


- | | | |
|---|--|---|
| <ul style="list-style-type: none"> ① FINISH GRADE ② JUMBO VALVE BOX & COVER ③ CONTROL WIRES WITH 12" MIN. SERVICE COIL AND WATERPROOF WIRE SPLICE CONNECTORS - WIRE COLORS PER SPECIFICATIONS ④ FLOW SENSOR PER SPECIFICATIONS ⑤ PVC 45 DEGREE ELL (TYP.) ⑥ MINIMUM 10x PIPE DIAMETER UPSTREAM & MINIMUM 5x PIPE DIAMETER DOWNSTREAM OF STRAIGHT PIPE ⑦ PVC 45 DEGREE ELL (TYP.) BUSH DOWN TO FLOW METER SIZE AS NECESSARY | <ul style="list-style-type: none"> ⑧ PVC MAINLINE - LENGTH AS REQUIRED - SEE SPECIFICATIONS FOR TYPE AND DEPTH ⑨ GRAVEL (1 CU. FT.) ⑩ CONTINUOUS BRICK SUPPORTS ⑪ VALVE BOX EXTENSIONS AS REQUIRED | <ul style="list-style-type: none"> ⑫ PVC MALE ADAPTER ⑬ PVC MALE ADAPTER - BUSH DOWN TO FLOW METER SIZE AS NECESSARY ⑭ TORO REMOTE CONTROL ELECTRIC GLOBE VALVE WITH FLOW CONTROL MODEL NO. 220-27-XX (SEE SPECS.) |
|---|--|---|

NOTES: SEE PLANS, LEGEND AND SPECIFICATIONS FOR ADDITIONAL INSTALLATION NOTES.

NOTES:

1. INSTALLATION TO BE COMPLETED IN ACCORDANCE WITH MANUFACTURERS SPECIFICATIONS.
2. DO NOT SCALE DRAWINGS.
3. CONTRACTORS NOTE: FOR PRODUCT AND COMPANY INFORMATION VISIT www.CADdetails.com/info REFERENCE NUMBER 065-280.



FLOW SENSOR / MASTER VALVE

TORO TFS SERIES / TORO 220 SERIES