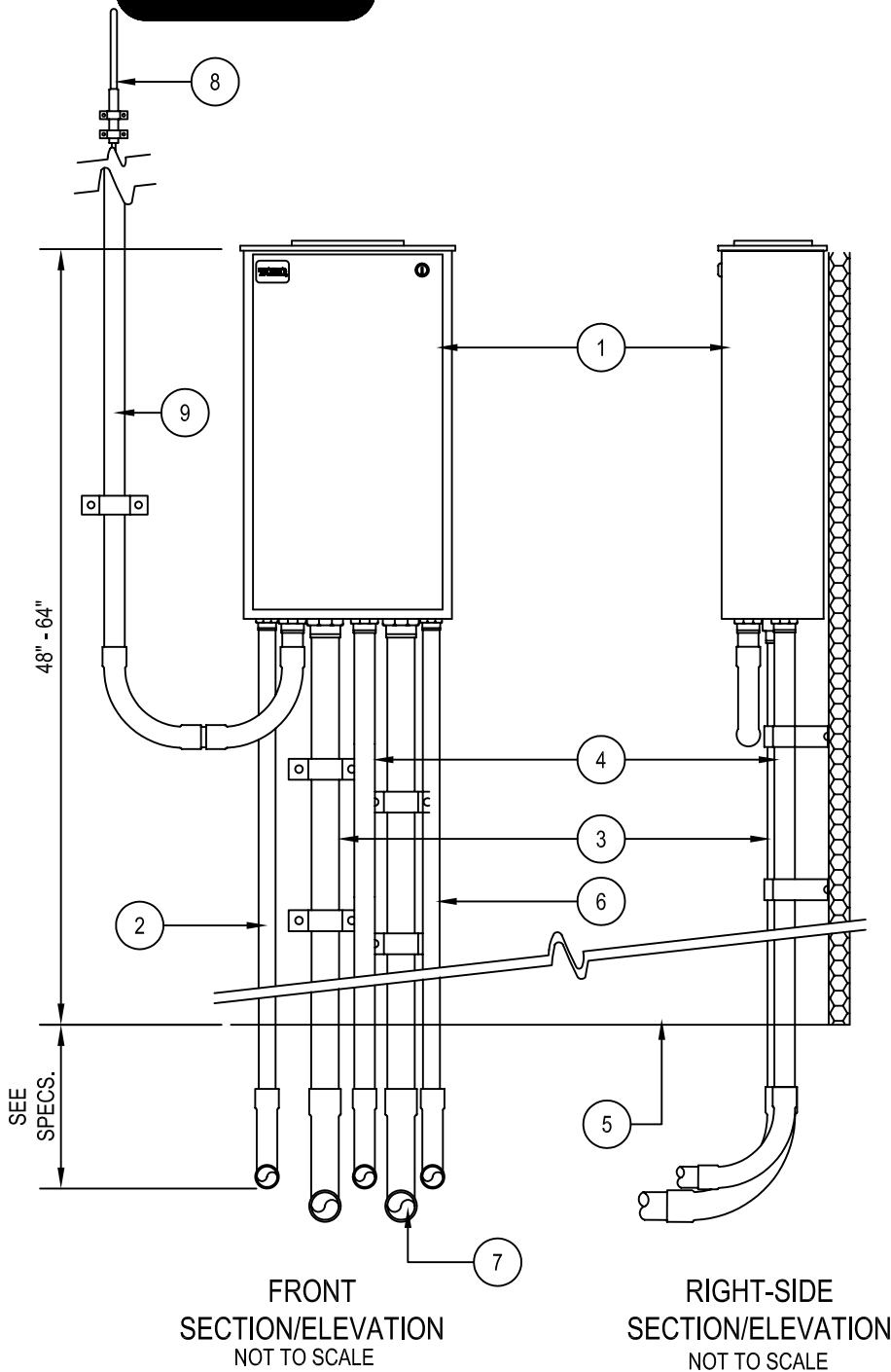


TORO

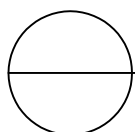
TORO-IRRIGATION DIVISION
 5825 JASMINE STREET
 RIVERSIDE, CA 92504
 TOLL FREE: 1-800-664-4740
 PHONE: (951) 785-3152
 FAX: (951) 359-1870
 www.toro.com



- 1 TORO SENTINEL IRRIGATION CONTROLLER MODEL NO. SSAKXXWS26NSX
- SEE PLAN FOR NUMBER OF STATIONS
- ANCHOR SECURELY TO WALL
- 2 3/4" CONDUIT FOR ELECTRICAL POWER CONDUCTORS PER LOCAL AND NATIONAL CODES
- 3 2" CONDUIT FOR UP TO 24 REMOTE CONTROL VALVES WIRES
- SECURE TO WALL WITH APPROPRIATE PIPE CLAMPS
- 4 3/4" CONDUIT FOR EARTH GROUND
- 5 FINISHED SURFACE
- 6 1/2" CONDUIT FOR SENSOR WIRES
- 7 2" CONDUIT FOR 24 TO 48 REMOTE CONTROL WIRES
- 8 OPTIONAL OMNI DIRECTIONAL ANTENNA PER SITE SURVEY RECOMMENDATIONS
- 9 OPTIONAL 1 1/2" CONDUIT FOR ANTENNA WIRE MINIMUM RADIUS ON SWEEP SHALL BE 1 1/2"

NOTES:

- 1. INSTALLATION TO BE COMPLETED IN ACCORDANCE WITH MANUFACTURERS SPECIFICATIONS.
- 2. DO NOT SCALE DRAWINGS.
- 3. CONTRACTORS NOTE: FOR PRODUCT AND COMPANY INFORMATION VISIT www.CADdetails.com/info REFERENCE NUMBER 065-121.



INTERIOR WALL-MOUNT CONTROLLER

STAINLESS STEEL