

TORO

Count on it.

Groundsmaster® 3400
Heavy Duty Out-Front Rotary



Redefining Out-Front Rotary Mowing



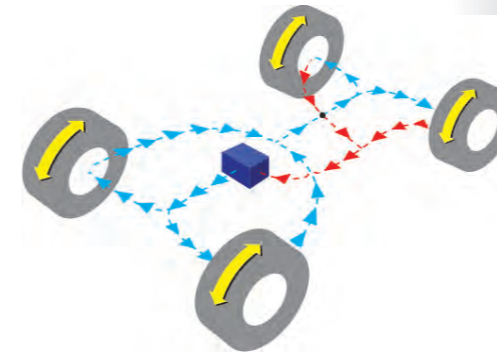
Durability...performance...quality and finish are the essence that embodies the Groundsmaster® 3400. Engineered to provide an outstanding, long-term and reliable solution to out-front rotary mowing, the GM3400 ticks all the right boxes and more, to suit your mowing needs.

- Heavy duty 4-wheel drive out-front rotary mower
- Kubota® 26.5kW (35.5hp) 4-cyl diesel engine
- 157cm (62") or 183cm (72") cutting widths
- 25.5km/h (15.5mph) Transport speed
- Optional safety cab with heater and air-conditioning
- Heavy duty rear-axle and large, high specification tyres for kerb climbing



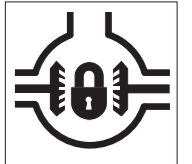
Manufactured using the latest design, construction and material technology to provide a solution to current and future mowing requirements, the GM3400 also draws upon past inspiration, building on the legacy of its predecessor – the Groundsmaster® 3000-D. The proven qualities of a productive, durable and versatile out-front rotary mower have been captured, evolved and developed into the Groundsmaster® 3400.

Driven to perfection



Featuring a full hydrostatic transmission system, with on-demand **4-wheel drive** powering individual wheel motors, the GM3400 delivers stunning performance and efficiency - providing a consistent first class mowing operation.

In areas of sloped terrain or damp, boggy conditions, the optional **automatic limited slip diff-lock** provides that extra performance and reassurance to the operator.

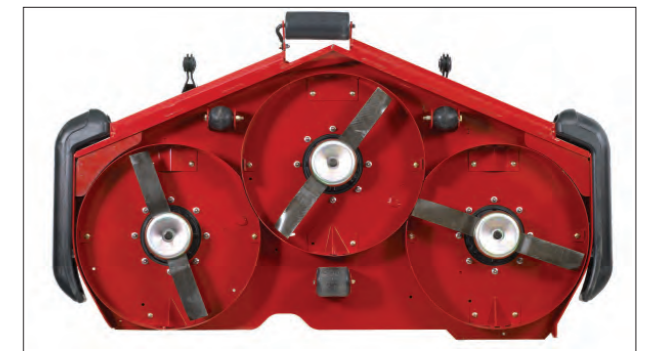


Mowing solutions to meet your needs

With the choice of **157cm (62")** or **183cm (72")** cutter decks, the GM3400 can be specified as a Recycler® or rear-discharge mower.

The **Guardian® Recycler®** decks are engineered with a patented, vertical discharge system that forces clippings to be cut and re-cut, for better clipping management and safety.

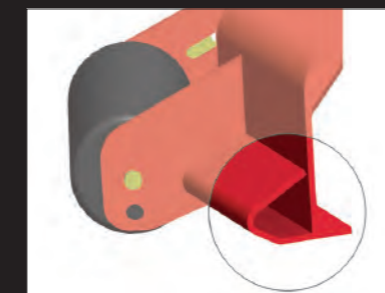
The **rear-discharge** decks power through tall or thick grass whilst keeping clippings within the cutting path, which would typically require clearing away.



Efficient use of a single hydraulic cutter motor removes the need for PTO shafts and gearboxes - reducing noise and the number of wearing parts. Power is distributed by a single heavy duty Kevlar-corded double sided 'B' belt - ensuring optimum and reliable transfer of power.

Adoption of hydraulic drive will also enable the quick and easy fitting of various powered attachments - such as flails.

Inter-changeable bumpers feature on the sides of the cutter decks providing benefits in both preventing scalping and protection in the event of a collision.



Bull-nose protection

The unique bull-nose bumper, found on all Groundsmaster products, minimises blowout of grass and debris but also protects the cutting decks leading edge in the event of an impact, promoting **longer life and durability**. The leading edge is also raised 6mm (1/4") so grass stands up straight for a cleaner cut.



Tougher than the rest

The cast iron spindle housings feature a massive 23cm (9") diameter base that spreads impact loads across a broader area.

Dual tapered roller-bearings last up to six times longer than ball-bearings.

The spindle shaft is made of 32mm (1-1/4") hardened steel and is **25% thicker than competitive spindles**. The result is unsurpassed stability and strength for a longer deck and spindle life.

Reduced workshop time

Routine maintenance and servicing is essential to the longevity and performance of any product. It's at these times that mowers sit around costing money, rather than earning money. A reduction workshop time ultimately results in a faster return to operation, but also provides a reduction in workshop labour and costs.

Through adoption of a tilting operator's platform, large opening engine cover and easily removable access panels, unrivalled access is easily gained to all areas of the machine. Resulting in reduced workshop time, costs and a faster return to revenue earning service.

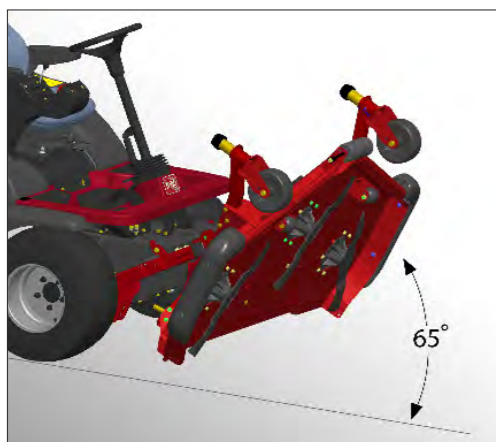
Unique in the out-front category, one person is able to lift the operator platform into the service position. Even with the optional cab, access is achieved with no work-shop tools or assistance.



Tilting Deck

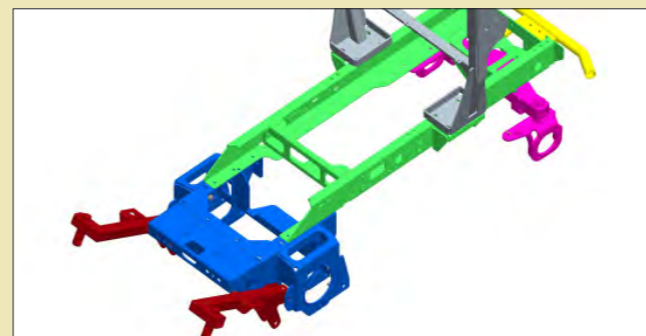
Serviceability is further enhanced with a tilting deck - lifting through to 65°.

With no PTO-shaft to disconnect, effortless access for routine maintenance and service is achieved.



The power to perform

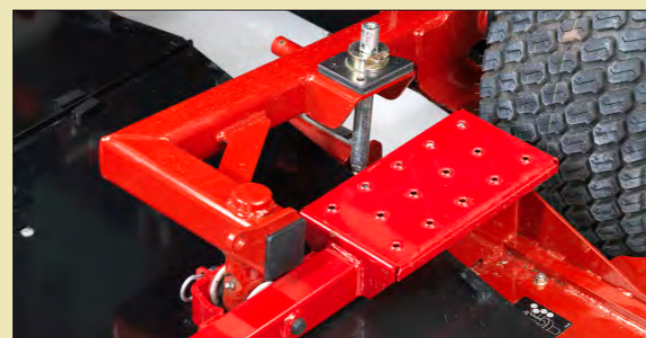
Power and performance are ensured by adoption of the proven and reliable 25.5kW (35.5hp) Kubota® V1505 4-cylinder liquid-cooled, diesel engine. This fuel efficient engine provides all the horsepower and torque that you would need to **handle the most difficult of mowing conditions**. Through commonality with other products in the Groundsmaster® range, routine maintenance, parts requirements are simplified by adoption of common components.



Designed from the ground-up for commercial mowing applications. An **extensively tested**, high quality modular steel chassis features to ensure a **long term, durable mowing solution**.



Kerb-climbing is an essential part of every-day commercial mowing, that is why the GM3400 has been designed to provide a **high degree of ground clearance**. **High-specification tyres** with high-profile tyre walls also feature to ensure minimal wheel-rim damage and provide greater levels of suspension.



Cutter deck lift arms are always an area of concern with out-front mowers – particularly when extensive road-work is required. Manufactured using a high-quality 63.5mm (2.5") box section with a 5mm (3/16") wall thickness **ensure optimum strength, durability and reliability**.



The GM3400 adopts a **heavy-duty rear axle** with large load-bearing surfaces to dissipate impacts. With a heavy-duty welded steel construction and **shock-load protection** built into the steering system, the Groundsmaster® 3400 is designed to last!



Keeping the operator comfortable

Ensuring the operator is kept comfortable is key. With a mechanical suspension seat and machine controls at your finger-tips, the Groundsmaster® 3400 is designed to offer **premium performance and premium comfort** – all day, every day.

A large capacity storage compartment features as standard – ideal for stowing gloves, wet-weather gear and the essential lunch box. The operator environment can be enhanced further by specifying the **optional deluxe air-ride seat** (fabric or vinyl covering available) offering greater levels of adjustment, support and comfort.

Optional Safety Cab

- Optional full weather safety cab
- Cab tilts forward for easy service access
- Standard with sound reduction kit, tilt mechanism and heater blower
- Optional air-conditioning system
- Superb all-round visibility
- Provision for audio entertainment system
- Conforms to ISO:21299



Lighting kit with brake lights



Flashing beacon kit



Waste bin kit



Tool box kit



Kevlar tyre kit (contains front and rear wheel assemblies)



Blower / Tool carrier kit



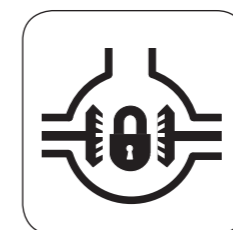
Air conditioning (full weather cab)



Deluxe fabric or vinyl seats*



ROPS-Assist kit



LSDL (Limited Slip Diff Lock) System



12-Volt electrical accessory port



Provision for audio entertainment

**Specification and colour may vary from illustration*

Other Models in the Groundsmaster® range



GM3280



GM360 Quad Steer™



GM4000/4010



GM4100/4110



GM5900/5910



GM7200/7210



Whatever the weather

Wind, rain and snow are no problem for the Groundsmaster® 3400. With the optional cab, the operator can be kept in a warm, dry and comfortable environment – ensuring maximum productivity, whatever the weather!

Certified to the latest ISO: 21299 safety legislation, you can be confident that your operators are safe and comfortable, in all kinds of weather.

Specifications Groundmaster® 3400 Heavy Duty Out-Front Rotary

SPECIFICATIONS	GROUNDMASTER 3400	
MODEL	Kubota® V1505 4-Cylinder, liquid-cooled diesel engine, 26.5kw (35.5hp) @ 2850rpm	
TRANSMISSION	Closed loop hydrostatic 4-Wheel drive with optional Limited Slip Diff Lock	
FUEL CAPACITY	45.7 Litres (10 Gallons)	
STEERING	Hydrostatic rear wheel steering with shockload protection	
BRAKES	Hydrostatic / oil immersed disc brakes operated by an electronic on/off switch	
TYRES: FRONT / REAR	26 x 12.00 - 12, 4-Ply Turf pattern / 20 x 10.00 - 8, 4-Ply Turf pattern	
GROUND SPEED	0-25.5 km/h (0-15.5mph) Forward speed, 0-11km/h (0-7mph) Reverse speed	
GROUND PRESSURE	0.7 - 1.41 kg/cm ² (10 - 20 psi) Depending on turf conditions	
CONTROLS	Ergonomic control console providing finger-tip control of key machine functions. Controls Include; Cutter deck lift/lower switch Cutters on/off Engine throttle Key ignition Parking brake on/off switch Weight transfer Separate forward / reverse pedals.	
SEAT	Fixed back seat with mechanical suspension and fore/aft adjustment, armrests and 2-point recoil lap belt. Optional deluxe seats available.	
ROPS	Folding 2-Post ROPS frame	
OPERATOR SAFETY	Cutter deck drive disengages when operator leaves seat. Engine starts only when forward / reverse pedal is in neutral, the parking brake is applied and the cutting deck is disengaged. Cutter deck can only be lowered upon activation of the cutter units.	
WARNING LIGHTS	Engine temperature, Hydraulic oil temperature, Engine oil pressure, Battery, Glow plug	
INTERLOCK LIGHTS	Parking brake, Cutters on/off, Neutral	
GAUGES	Fuel tank level indicator, Hydraulic oil tank sight glass, Digital hourmeter	
CUTTING UNITS	157cm (62") Base Deck	183cm (72") Base Deck
TYPE	3-Blade out-front rotary base deck with option of Guardian® Recycler® kit or rear-discharge kit	
WIDTH OF CUT	157cm (62")	183cm (72")
HEIGHT OF CUT	25mm - 150mm (1" - 6"), adjustable in 6mm (0.25") increments	
MOWING RATE	1.6 Hectares/hr (4.0 Acres/hr)*	1.9 Hectares/hr (4.7 Acres/hr)*
CONSTRUCTION	4.5mm (7-gauge) welded steel, 108mm (4.25") deep	
DECK DRIVE	Single deck mounted hydraulic motor driving individual blade-spindles through a single kevlar re-inforced double sided 'B' belt	
TILTING DECK / ORIENTATION	Deck tilts through to 65° from the horizontal for easy access and maintenance	
DIMENSIONS		
OVERALL LENGTH	3329mm (131.1")	3420mm (134.6")
OVERALL WIDTH	1752mm (69")	1992mm (78.4")
HEIGHT (WITH ROPS)	2369mm (92.9")	
HEIGHT (WITH CAB)	2090mm (82.3")	
WHEELBASE	1525mm (60")	
TRACK WIDTH	1487mm (58.5")	
WEIGHT (WITH ROPS)	1110kg	1131kg
WEIGHT (WITH CAB)	1334kg	1355kg
CERTIFICATION		
SOUND POWER LEVEL dB(A)	104	105
SOUND PRESSURE LEVEL dB(A)	93	94
HAND ARM VIBRATION (m/s ²)	1.5	
WHOLE BODY VIBRATION (m/s ²)	0.5	
STABILITY (measured in accordance to BS EN836)	16 Degrees without Cab 14 Degrees with Cab	
CERTIFICATION	Certified to meet ISO:21299 for ROPS. Engine conforms to Euro STAGE IIIA emissions requirements. Certified to meet the CE machinery directive.	
OPTIONAL ACCESSORIES		
POWER UNIT	Lighting kit with brake lights Cab (full weather ROPS) Air-Conditioning Limited Slip Diff Lock (LSDL) 12-Volt electrical accessory port Flashing beacon kit Blower/Tool carrier kit Waste bin kit Tool box kit Replacement fabric seat Deluxe vinyl or fabric seat with air-ride Kevlar tyre kit	
CUTTER DECKS	157cm (62") or 183cm (72") Base cutter deck Rear discharge baffle kit Recycler® Baffle Kit	
WARRANTY	2-Years Limited	

TORO® PROFESSIONAL SERVICES

Toro Financing Many flexible financing options are available to meet your specific operational requirements.

Toro Genuine Parts Keep the productivity and performance of your equipment at its peak by using genuine Toro replacement parts. Find and identify your replacement parts online at www.Toro.com/partsviewer.

Toro Training Toro Technical Service Schools are available from your local distributor. Explore the training and customer care areas of Toro.com and ToroNSN.com for readily available on-line education and training materials.

Toro Controller Repair Provides irrigation controller boards ready for immediate board exchange to assure that downtime is minimal and your turf stays protected. Toro is the choice for reliability. +1 909 785 3630

Toro NSN® An industry-first support network that provides reliable, around-the-clock irrigation central control system trouble-shooting and operation assistance. For assistance please contact:

Canada / Mexico / Latin America +1 325 673 8762

Europe / Middle East / Africa +32 14 56 29 33

Australia / Asia-Pacific +61 7 3268 2154