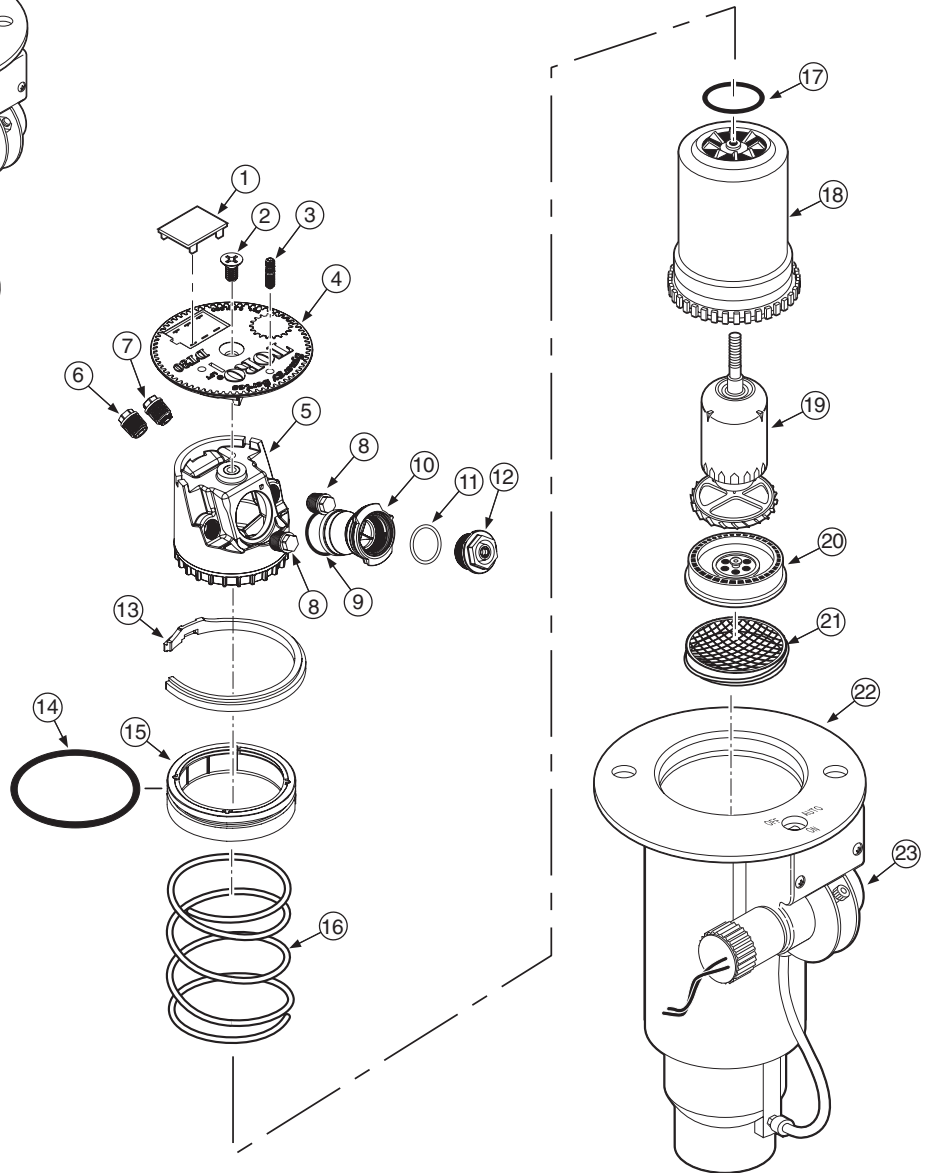
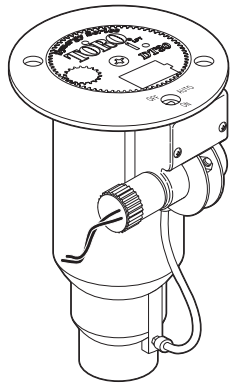


DT34 Series Sprinkler



Model Number Information

| DT34 | | | | | | |
|------------|---------------|--------------------------|---|----------------------------|---|--|
| Body Inlet | Arc | Body Threads | Valve Type | Nozzle | Pressure Regulation* | Optional |
| 3—1" | 4—Full circle | 0—NPT 4—ACME 5—BSP | 1—NO Hydraulic 2—Check-O-Matic 6—Electric | 31 32 33 34 35 36 37 | 6—65 psi (4,5 Bar) 8—80 psi (5,5 Bar) 1—100 psi (6,9 Bar) | E—Effluent DL—Decoder N—Ni Plated Sol. |

For Example:
When specifying a DT34 Series Sprinkler with ACME threads, #34 nozzle,
an electric valve and pressure regulation at 65 psi (4,5 Bar), you would specify:

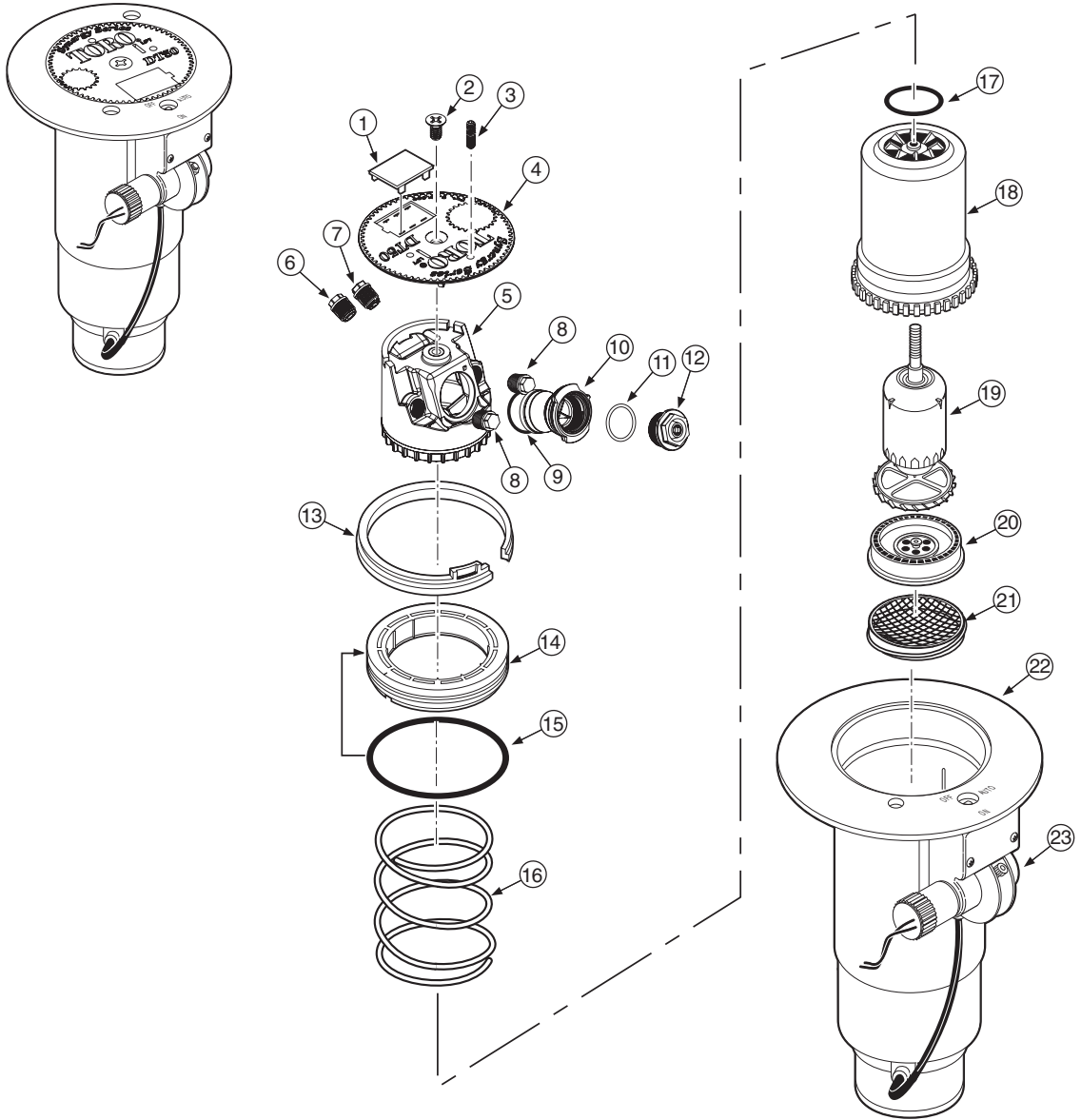
DT34-46-346

Note: For detailed model number availability and ordering information, refer to the Golf Finished Goods Price List (form no. 490-2844).

* Pressure Regulation available on Electric VIH models only.

| Item No. | Part No. | Description | Quantity Per Assy. |
|----------|-------------|---|--------------------|
| 1 | 89-1589 | Plug, Cap | 1 |
| 2 | 102-0362 | Screw, Cap | 1 |
| 3 | 363-4839 | Radius Reduction Screw | 1 |
| 4 | 102-4752 | Cap, DT34 | 1 |
| 4 | 102-5588 | Cap, DT34, Effluent | 1 |
| 5 | 102-5981 | Nozzle Base Assembly | 1 |
| 6 | 102-2925 | Intermediate Nozzle, Blue (Used w/ #1 Main) | 1 |
| 6 | 102-2926 | Intermediate Nozzle, Orange (Used w/ #2 Main) | 1 |
| 6 | 102-2928 | Intermediate Nozzle, Red (Used w/ #3 Main) | 1 |
| 6 | 102-2929 | Intermediate Nozzle, Beige (Used w/ #4–5 Mains) | 1 |
| 6 | 102-6944 | Intermediate Nozzle Assy., Red w/ Stream Straightener (Used w/ #6 Main) | 1 |
| 6 | 102-6945 | Intermediate Nozzle Assy., Gray w/ Stream Straightener (Used w/ #7 Main) | 1 |
| 6 | 102-6883 | Intermediate Nozzle, Brown (Used w/ #7 main, front position on the right of main) | 1 |
| 7 | 102-6937 | Nozzle Assy. Inner, Yellow Nozzle w/ Yellow Helical Restrictor | 1 |
| 8 | 102-4335 | Nozzle Plug | 2 |
| 9 | 102-5978 | O-Ring, Nozzle Housing | 1 |
| 10 | 102-5597 | Nozzle Housing Assy. (Includes Item 9) | 1 |
| 11 | 363-4104 | O-Ring, Main Nozzle | 1 |
| 12 | 102-0725 | Nozzle, Main, #1 (Yellow) | 1 |
| 12 | 102-7001 | Nozzle, Main, #2 (Blue) | 1 |
| 12 | 102-0727 | Nozzle, Main, #3 (Brown) | 1 |
| 12 | 102-7002 | Nozzle, Main, #4 (Orange) | 1 |
| 12 | 102-6908 | Nozzle, Main, #5 (Green) | 1 |
| 12 | 102-0730 | Nozzle, Main, #6 (Gray) | 1 |
| 12 | 102-4261 | Nozzle, Main, #7 (Black) | 1 |
| 13 | 89-1385 | Snap Ring, Riser | 1 |
| 14 | 363-4102 | O-Ring, Body | 1 |
| 15 | 102-0134 | Retainer, Seal | 1 |
| 16 | 102-0151 | Spring, Return | 1 |
| 17 | 363-4167 | O-Ring, Nozzle Base | 1 |
| 18 | 102-0202 | Riser | 1 |
| 19 | 102-4503 | Drive Assembly, 12-Pack | 1 |
| 20 | 102-6929 | Stator Assembly, Low Flow, High Velocity, Blue (Used with #1–#4 Main Nozzles) | 1 |
| 20 | 102-1940 | Stator Assembly, Medium Flow, White (Used with #5–#7 Main Nozzles) | 1 |
| 21 | 102-1715 | Screen, Riser | 1 |
| 22 | ----- | Body Assembly (See Golf Body Parts Breakout) | 1 |
| 23 | ----- | Pilot Valve Assembly (See Pilot Valve Parts Breakout) | 1 |
| | | SERVICE ITEMS | |
| | 102-2208 | Nozzle, Main, Blank, White | |
| | 102-5672 | Cap, Blank | |
| | 102-5673 | Cap, Blank, Effluent | |
| | 89-4735 | Yardage Marker, Yellow (10 Sheets per Pak) | |
| | *DT34-3134 | Conversion, Full Circle, w/ #31, #32, #33 & #34 Nozzles | |
| | *DT34-3134E | Conversion, Full Circle, w/ #31, #32, #33 & #34 Nozzles and Effluent (Lavender) Cap | |
| | *DT34-3537 | Conversion, Full Circle, w/ #35, #36 & #37 Nozzles | |
| | *DT34-3537E | Conversion, Full Circle, w/ #35, #36 & #37 Nozzles and Effluent (Lavender) Cap- | |
| | | SERVICE TOOLS | |
| | 995-08 | Valve Removal Tool | |
| | 995-76 | Valve Insertion Tool | |
| | 995-15 | Selector Tool (Flag Key) | |
| | 995-99 | Nut Driver, 5/8" (For Main Nozzle) | |
| | 995-105 | Nut Driver, 5/16" (For Inner & Intermediate Nozzles and Plugs) | |
| | 995-83 | Multi-purpose Tool | |
| | 995-85 | Riser Removal Tool | |
| | 995-100 | Valve Snap Ring Pliers with Screen Remover | |
| | 995-86 | Riser Hold-up Tool, Universal | |
| | | | |
| | | * Order Through Finished Goods Distribution System—Minneapolis | |

DT54 Series Sprinkler



Model Number Information

| Body Inlet | Arc | Body Threads | Valve Type | Nozzle | Pressure Regulation* | Optional |
|------------|---------------|--------------------------|---|----------------------------------|---|--|
| 5—1½" | 4—Full-circle | 0—NPT 4—ACME 5—BSP | 1—NO Hydraulic 2—Check-O-Matic 6—Electric | 51 52 53 54 55 56 57 58 59 | 6—65 psi (4,5 Bar) 8—80 psi (5,5 Bar) 1—100 psi (6,9 Bar) | E—Effluent DL—Decoder N—Ni Plated Sol. |

For Example:
When specifying a DT54 Series Sprinkler with ACME threads, #54 nozzle,
an electric valve and pressure regulation at 65 psi (4,5 Bar), you would specify:

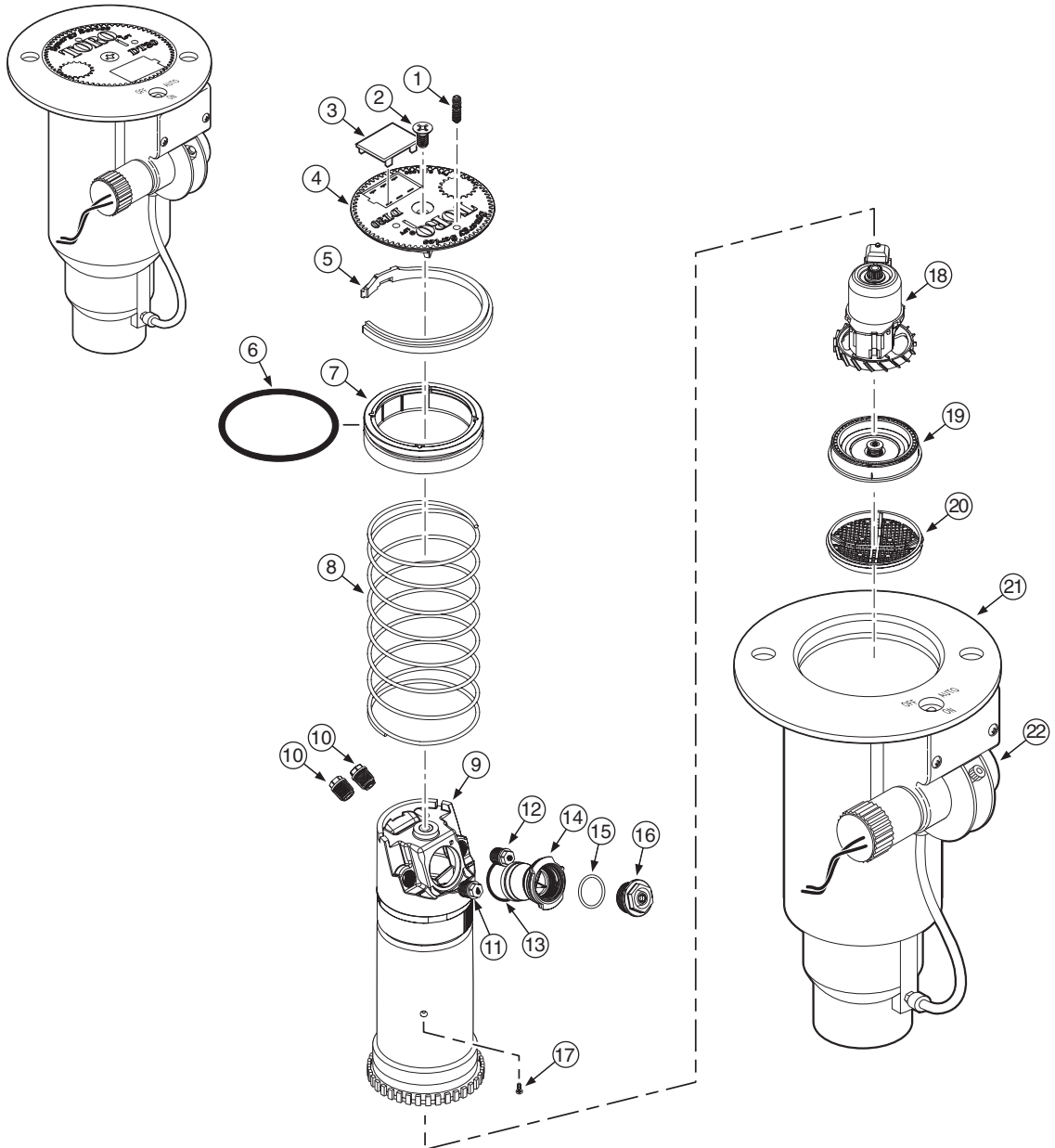
DT54-46-546

Note: For detailed model number availability and ordering information, refer to the Golf Finished Goods Price List (form no. 490-2844).

* Pressure Regulation available on Electric VIH models only.

| Item No. | Part No. | Description | Quantity Per Assy. |
|----------|-------------|---|--------------------|
| 1 | 89-1589 | Plug, Cap | 1 |
| 2 | 102-0362 | Screw, Cap | 1 |
| 3 | 363-4839 | Radius Reduction Screw | 1 |
| 4 | 102-4753 | Cap, DT54 | 1 |
| 4 | 102-5589 | Cap, DT54, Effluent | 1 |
| 5 | 102-5981 | Nozzle Base Assembly | 1 |
| 6 | 102-2925 | Intermediate Nozzle, Blue (Used w/ #1 Main) | 1 |
| 6 | 102-2926 | Intermediate Nozzle, Orange (Used w/ #2 Main) | 1 |
| 6 | 102-2928 | Intermediate Nozzle, Red (Used w/ #3 Main) | 1 |
| 6 | 102-2929 | Intermediate Nozzle, Beige (Used w/ #4–5 Mains) | 1 |
| 6 | 102-6944 | Intermediate Nozzle Assy., Red w/ Stream Straightener (Used w/ #6 Main) | 1 |
| 6 | 102-6945 | Intermediate Nozzle Assy., Gray w/ Stream Straightener (Used w/ #7–9 Mains) | 1 |
| 6 | 102-6883 | Intermediate Nozzle, Brown (Used w/ #7 & #8 mains, front position, right of main) | 1 |
| 7 | 102-6937 | Nozzle Assy. Inner, Yellow Nozzle w/ Yellow Helical Restrictor | 1 |
| 8 | 102-4335 | Nozzle Plug | 2 |
| 9 | 102-5978 | O-ring, Nozzle Housing | 1 |
| 10 | 102-5597 | Nozzle Housing Assy. (Includes Item 9) | 1 |
| 11 | 363-4104 | O-Ring, Main Nozzle | 1 |
| 12 | 102-0725 | Nozzle, Main, #1 (Yellow) | 1 |
| 12 | 102-7001 | Nozzle, Main, #2 (Blue) | 1 |
| 12 | 102-0727 | Nozzle, Main, #3 (Brown) | 1 |
| 12 | 102-7002 | Nozzle, Main, #4 (Orange) | 1 |
| 12 | 102-6908 | Nozzle, Main, #5 (Green) | 1 |
| 12 | 102-0730 | Nozzle, Main, #6 (Gray) | 1 |
| 12 | 102-4261 | Nozzle, Main, #7 (Black) | 1 |
| 12 | 102-4260 | Nozzle, Main, #8 (Red) | 1 |
| 12 | 102-4259 | Nozzle, Main, #9 (Beige) | 1 |
| 13 | 35-6119 | Snap Ring, Riser | 1 |
| 14 | 102-0136 | Retainer, Seal | 1 |
| 15 | 363-4103 | O-Ring, Body | 1 |
| 16 | 102-0151 | Spring, Return | 1 |
| 17 | 363-4167 | O-Ring, Nozzle Base | 1 |
| 18 | 102-0203 | Riser | 1 |
| 19 | 102-4503 | Drive Assembly, 12-Pack | 1 |
| 20 | 102-6929 | Stator Assembly, Low Flow, High Velocity, Blue (Used with #1–#4 Main Nozzles) | 1 |
| 20 | 102-1940 | Stator Assembly, Medium Flow, White (Used with #5–#8 Main Nozzles) | 1 |
| 20 | 102-1941 | Stator Assembly, High-Flow, White (Used with #9 Main Nozzles) | 1 |
| 21 | 102-1715 | Screen, Riser | 1 |
| 22 | ----- | Body Assembly (See Golf Body Parts Breakout) | 1 |
| 23 | ----- | Pilot Valve Assembly (See Pilot Valve Parts Breakout) | 1 |
| | | SERVICE ITEMS | |
| | 102-2208 | Nozzle, Main, Blank, White | |
| | 102-5674 | Cap, Blank | |
| | 102-5675 | Cap, Blank, Effluent | |
| | 102-0950 | Adapter, Conversion 600/700 1.5" Bodies | |
| | 102-5011 | Adapter, Conversion, 690 | |
| | 89-4735 | Yardage Marker, Yellow (10 Sheets per pak) | |
| | *DT54-5154 | Conversion, Full Circle, w/ #51, #52, #53 & #54 Nozzles | |
| | *DT54-5154E | Conversion, Full Circle, w/ #51, #52, #53 & #54 Nozzles and Effluent (Lavender) Cap | |
| | *DT54-5558 | Conversion, Full Circle, w/ #55, #56, #57 & #58 Nozzles | |
| | *DT54-5558E | Conversion, Full Circle, w/ #55, #56, #57 & #58 Nozzles and Effluent (Lavender) Cap | |
| | *DT54-59 | Conversion, Full Circle, w/ #59 Nozzle | |
| | *DT54-59 | Conversion, Full Circle, w/ #59 Nozzle and Effluent (Lavender) Cap | |
| | | SERVICE TOOLS | |
| | 995-09 | Valve Removal Tool | |
| | 995-101 | Valve Insertion Tool | |
| | 995-15 | Selector Tool (Flag Key) | |
| | 995-99 | Nut Driver, 5/8" (For Main Nozzle) | |
| | 995-105 | Nut Driver, 5/16" (For Inner & Intermediate Nozzles and Plugs) | |
| | 995-83 | Multi-purpose Tool | |
| | 995-85 | Riser Removal Tool | |
| | 995-100 | Valve Snap Ring Pliers with Screen Remover | |
| | 995-86 | Riser Hold-up Tool, Universal | |
| | | * Order Through Finished Goods Distribution System–Minneapolis | |

DT35 Series Sprinkler



Model Number Information

| Body Inlet | Arc | Body Threads | Valve Type | Nozzle | Pressure Regulation* | Optional |
|------------|------------------------|--------------------------|---|-------------------------------|---|--|
| 3—1" | 5—Full and Part circle | 0—NPT 4—ACME 5—BSP | 1—NO Hydraulic 2—Check-O-Matic 6—Electric | 30 31 32 33 34 35 36 37 | 6—65 psi (4,5 Bar) 8—80 psi (5,5 Bar) 1—100 psi (6,9 Bar) | E—Effluent DL—Decoder N—Ni Plated Sol. |

For Example:
When specifying a DT35 Series Sprinkler with ACME threads, #34 nozzle, an electric valve and pressure regulation at 65 psi (4,5 Bar), you would specify:

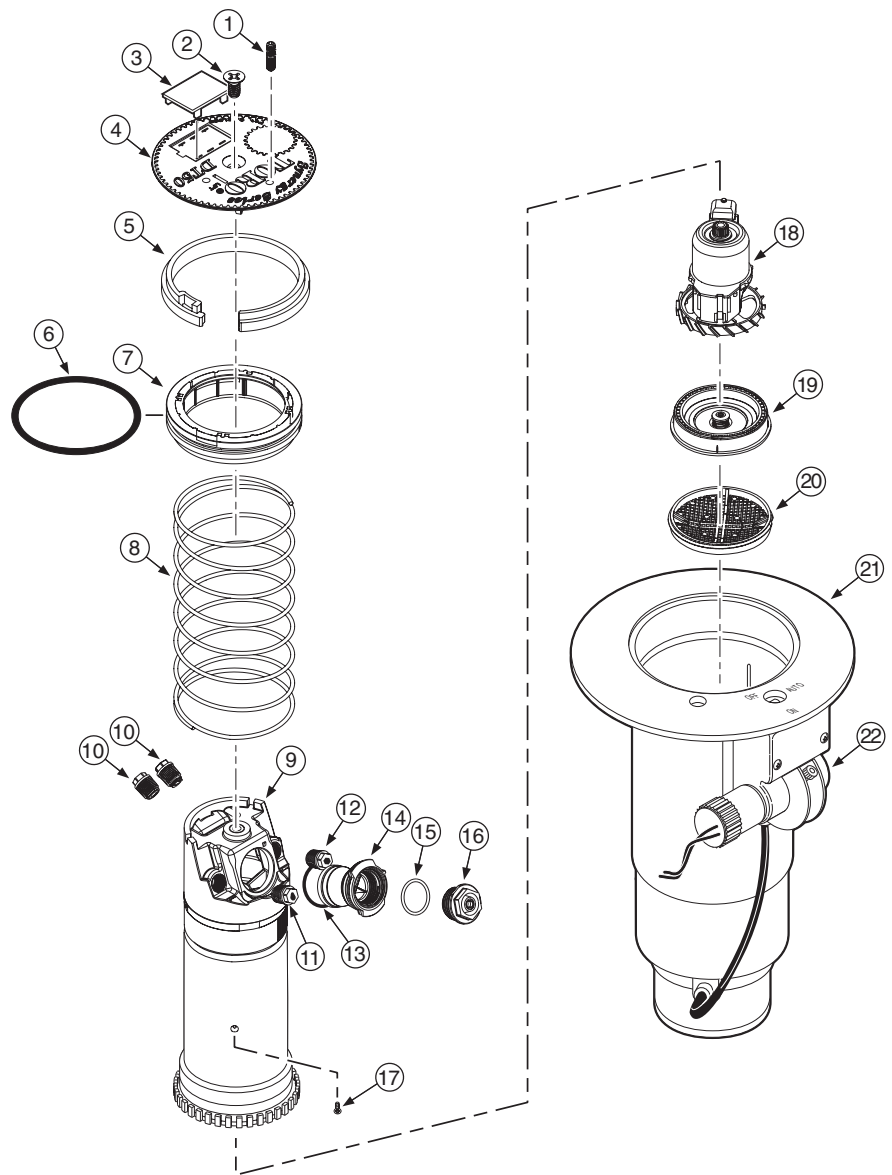
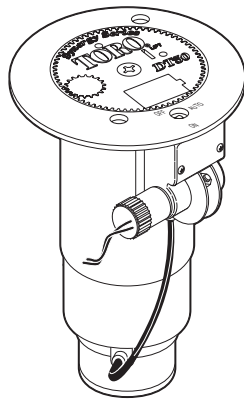
DT35-46-346

Note: For detailed model number availability and ordering information, refer to the Golf Finished Goods Price List (form no. 490-2844).

* Pressure Regulation available on Electric VIH models only.

| Item No. | Part No. | Description | Quantity Per Assy. |
|----------|-------------|--|--------------------|
| 1 | 363-4839 | Radius Reduction Screw | 1 |
| 2 | 102-6138 | Screw, Cap, Black | 1 |
| 3 | 89-1589 | Plug, Cap | 1 |
| 4 | 102-4752 | Cap, DT35 | 1 |
| 4 | 102-5588 | Cap, DT35, Effluent | 1 |
| 5 | 89-4702 | Snap Ring, Riser | 1 |
| 6 | 363-4102 | O-Ring, Body | 1 |
| 7 | 102-0134 | Retainer, Seal | 1 |
| 8 | 102-0151 | Spring, Return | 1 |
| 9 | 102-5730 | Riser Assembly | 1 |
| 10 | 102-4335 | Nozzle Plug | 2 |
| 11 | 102-5670 | Nozzle Assy. Inner, Yellow w/ White Helical Restrictor (Used w/ #0-#5 Mains) | 1 |
| 11 | 102-6531 | Nozzle Assy., Inner, Green w/ White Helical Restrictor (Used w/ #6 & #7 Mains) | 1 |
| 12 | 102-6942 | Intermediate Nozzle Assy., Beige w/ Stream Straightener (Used w/ #0 Main) | 1 |
| 12 | 102-5671 | Intermediate Nozzle Assy., Brown w/ Stream Straightener (Used w/ #1 Main) | 1 |
| 12 | 102-6884 | Intermediate Nozzle, Yellow (Used w/ #2-#4 Mains) | 1 |
| 12 | 102-6885 | Intermediate Nozzle, Green (Used w/ #5-#7 Mains) | 1 |
| 13 | 102-5978 | O-Ring, Nozzle Housing | 1 |
| 14 | 102-5597 | Nozzle Housing Assy. (Includes Item 13) | 1 |
| 15 | 363-4104 | O-Ring, Main Nozzle | 1 |
| 16 | 102-2208 | Nozzle, Main, #0, Blank (White) | 1 |
| 16 | 102-6906 | Nozzle, Main, #1 (Yellow) | 1 |
| 16 | 102-0726 | Nozzle, Main, #2 (Blue) | 1 |
| 16 | 102-6907 | Nozzle, Main, #3 (Brown) | 1 |
| 16 | 102-0728 | Nozzle, Main, #4 (Orange) | 1 |
| 16 | 102-6955 | Nozzle, Main, #5 (Green) | 1 |
| 16 | 102-6935 | Nozzle, Main, #6 (Gray) | 1 |
| 16 | 102-6936 | Nozzle, Main, #7 (Black) | 1 |
| 17 | 363-4236 | Screw, Drive | 1 |
| 18 | 102-4504 | Drive Assembly, 12-Pack | 1 |
| 19 | 102-6929 | Stator Assembly, Low Flow, High Velocity, Blue (Used with #0 Main Nozzle) | 1 |
| 19 | 102-1939 | Stator Assembly, Low Flow, Yellow (Used with #1-#4 Main Nozzles) | 1 |
| 19 | 102-1940 | Stator Assembly, Medium Flow, White (Used with #5-#7 Main Nozzles) | 1 |
| 20 | 102-1715 | Screen, Riser | 1 |
| 21 | ----- | Body Assembly (See Golf Body Parts Breakout) | 1 |
| 22 | ----- | Pilot Valve Assembly (See Pilot Valve Parts Breakout) | 1 |
| | | SERVICE ITEMS | |
| | 102-5672 | Cap, Blank | |
| | 102-5673 | Cap, Blank, Effluent | |
| | 89-4735 | Yardage Marker, Yellow (10 Sheets per Pak) | |
| | *DT35-3134 | Conversion, Part and Full Circle, w/ #31, #32, #33 & #34 Nozzles | |
| | *DT35-3134E | Conversion, Part and Full Circle, w/ #31-#34 Nozzles and Effluent (Lavender) Cap | |
| | *DT35-3537 | Conversion, Part and Full Circle, w/ #35, #36 & #37 Nozzles | |
| | *DT35-3537E | Conversion, Part and Full Circle, w/ #35-37 Nozzles and Effluent (Lavender) Cap | |
| | | SERVICE TOOLS | |
| | 995-08 | Valve Removal Tool | |
| | 995-76 | Valve Insertion Tool | |
| | 995-15 | Selector Tool (Flag Key) | |
| | 995-99 | Nut Driver, 5/8" (For Main Nozzle) | |
| | 995-105 | Nut Driver, 5/16" (For Inner & Intermediate Nozzles and Plugs) | |
| | 995-83 | Multi-purpose Tool | |
| | 995-85 | Riser Removal Tool | |
| | 995-100 | Valve Snap Ring Pliers with Screen Remover | |
| | 995-86 | Riser Hold-up Tool, Universal | |
| | | | |
| | | * Order Through Finished Goods Distribution System-Minneapolis | |

DT55 Series Sprinkler



Model Number Information

| Body Inlet | Arc | Body Threads | Valve Type | Nozzle | Pressure Regulation* | Optional |
|------------|------------------------|--------------------------|---|----------------------------------|---|--|
| 5—1½" | 5—Full and Part circle | 0—NPT 4—ACME 5—BSP | 1—NO Hydraulic 2—Check-O-Matic 6—Electric | 51 52 53 54 55 56 57 58 59 | 6—65 psi (4,5 Bar) 8—80 psi (5,5 Bar) 1—100 psi (6,9 Bar) | E—Effluent DL—Decoder N—Ni Plated Sol. |

For Example:
When specifying a DT55 Series Sprinkler with ACME threads, #54 nozzle, an electric valve and pressure regulation at 65 psi (4,5 Bar), you would specify:
DT55-46-546

Note: For detailed model number availability and ordering information, refer to the Golf Finished Goods Price List (form no. 490-2844).

* Pressure Regulation available on Electric VIH models only.

| Item No. | Part No. | Description | Quantity Per Assy. |
|----------|--------------|--|--------------------|
| 1 | 363-4839 | Radius Reduction Screw | 1 |
| 2 | 102-6138 | Screw, Cap, Black | 1 |
| 3 | 89-1589 | Plug, Cap | 1 |
| 4 | 102-4753 | Cap, DT55 | 1 |
| 4 | 102-5589 | Cap, DT55, Effluent | 1 |
| 5 | 35-6119 | Snap Ring, Riser | 1 |
| 6 | 363-4103 | O-Ring, Body | 1 |
| 7 | 102-0136 | Retainer, Seal | 1 |
| 8 | 102-0151 | Spring, Return | 1 |
| 9 | 102-5982 | Riser Assembly | 1 |
| 10 | 102-4335 | Nozzle Plug | 2 |
| 11 | 102-5670 | Nozzle Assy. Inner Assy., Yellow w/ White Helical Restrictor (Used w/ #1-#5 Mains) | 1 |
| 11 | 102-6531 | Nozzle Assy., Inner Assy., Green w/ White Helical Restrictor (Used w/ #6-#9 Mains) | 1 |
| 12 | 102-6884 | Intermediate Nozzle, Yellow (Used w/ #2, #3 & #4 Mains) | 1 |
| 12 | 102-6885 | Intermediate Nozzle, Green (Used w/ #5-#9 Mains) | 1 |
| 12 | 102-5671 | Intermediate Nozzle Assy., Brown w/ Stream Straightener (Used w/ #1 Main) | 1 |
| 13 | 102-5978 | O-Ring, Nozzle Housing | 1 |
| 14 | 102-5597 | Nozzle Housing Assy. (Includes Item 13) | 1 |
| 15 | 363-4104 | O-Ring, Main Nozzle | 1 |
| 16 | 102-6906 | Nozzle, Main, #1 (Yellow) | 1 |
| 16 | 102-0726 | Nozzle, Main, #2 (Blue) | 1 |
| 16 | 102-6907 | Nozzle, Main, #3 (Brown) | 1 |
| 16 | 102-0728 | Nozzle, Main, #4 (Orange) | 1 |
| 16 | 102-6955 | Nozzle, Main, #5 (Green) | 1 |
| 16 | 102-6935 | Nozzle, Main, #6 (Gray) | 1 |
| 16 | 102-6936 | Nozzle, Main, #7 (Black) | 1 |
| 16 | 102-6909 | Nozzle, Main, #8 (Red) | 1 |
| 16 | 102-4259 | Nozzle, Main, #9 (Beige) | 1 |
| 17 | 363-4236 | Screw, Drive | 1 |
| 18 | 102-4504 | Drive Assembly, 12-Pack | 1 |
| 19 | 102-1939 | Stator Assembly, Low Flow, Yellow (Used with #1-#4 Main Nozzles) | 1 |
| 19 | 102-1940 | Stator Assembly, Medium Flow, White (Used with #5-#8 Main Nozzles) | 1 |
| 19 | 102-1941 | Stator Assembly, High-Flow, White (Used with #9 Main Nozzles) | 1 |
| 20 | 102-1715 | Screen, Riser | 1 |
| 21 | ----- | Body Assembly (See Golf Body Parts Breakout) | 1 |
| 22 | ----- | Pilot Valve Assembly (See Pilot Valve Parts Breakout) | 1 |
| | | SERVICE ITEMS | |
| | 102-2208 | Nozzle, Main, Blank, White | |
| | 102-5674 | Cap, Blank | |
| | 102-5675 | Cap, Blank, Effluent | |
| | 102-0950 | Adapter, Conversion, 600/700 1.5" Bodies | |
| | 102-5011 | Adapter, Conversion, 690 | |
| | 89-4735 | Yardage Marker, Yellow (10 Sheets per Pak) | |
| | *DT55-5154 | Conversion, Part & Full Circle, w/ #51-#54 Nozzles | |
| | *DT55-5154E | Conversion, Part & Full Circle, w/ #51-#54 Nozzles and Effluent (Lavender) Cap | |
| | *DT55-5154R | Conversion, Part & Full Circle, w/ #51-#54 Nozzles for Ribless Bodies | |
| | *DT55-5154RE | Conversion, Part & Full Circle, w/ #51-#54 Nozzles & Effluent Cap for Ribless Bodies | |
| | *DT55-5558 | Conversion, Part & Full Circle, w/ #55-#58 Nozzles | |
| | *DT55-5558E | Conversion, Part & Full Circle, w/ #55-#58 Nozzles and Effluent (Lavender) Cap | |
| | *DT55-5558R | Conversion, Part & Full Circle, w/ #55-#58 Nozzles for Ribless Bodies | |
| | *DT55-5558RE | Conversion, Part & Full Circle, w/ #55-#58 Nozzles & Effluent Cap for Ribless Bodies | |
| | *DT55-59 | Conversion, Part & Full Circle, w/ #59 Nozzle | |
| | *DT55-59E | Conversion, Part & Full Circle, w/ #59 Nozzle and Effluent (Lavender) Cap | |
| | *DT55-59R | Conversion, Part & Full Circle, w/ #59 Nozzle for Ribless Bodies | |
| | *DT55-59RE | Conversion, Part & Full Circle, w/ #59 Nozzle & Effluent Cap for Ribless Bodies | |
| | | SERVICE TOOLS | |
| | 995-09 | Valve Removal Tool | |
| | 995-101 | Valve Insertion Tool | |
| | 995-15 | Selector Tool (Flag Key) | |
| | 995-99 | Nut Driver, 5/8" (For Main Nozzle) | |
| | 995-105 | Nut Driver, 5/16" (For Inner & Intermediate Nozzles and Plugs) | |
| | 995-83 | Multi-purpose Tool | |
| | 995-85 | Riser Removal Tool | |
| | 995-100 | Valve Snap Ring Pliers with Screen Remover | |
| | 995-86 | Riser Hold-up Tool, Universal | |
| | | * Order Through Finished Goods Distribution System-Minneapolis | |