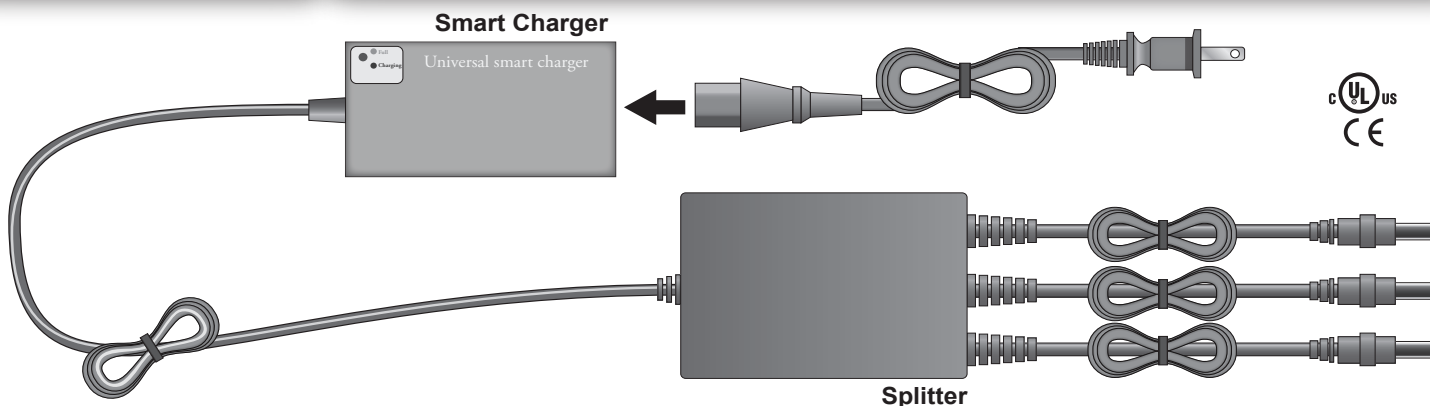


TWILIGHT GOLF CUP - CHARGER

Li-Ion Battery Charger User Guide



Specifications

For use with Li-Ion Battery Pack 18650 11.1V, 2600mAh. 5-6 hour charge time. Indoor use only.

Charger

Input:

120Vac, 60Hz, 0.3A

Output:

12.6Vdc, 1.8A Max, 78.0% efficiency

Environmental:

Operation: -10°C (14°F) to +40°C (104°F) / Humidity: <90%

Features

Over Voltage Protection:

Auto restart

Over-Current Protection:

Auto-restart without damage

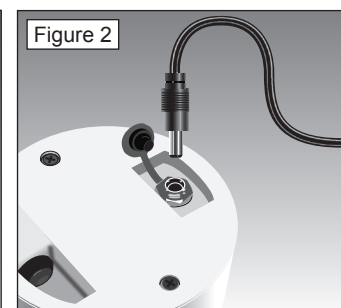
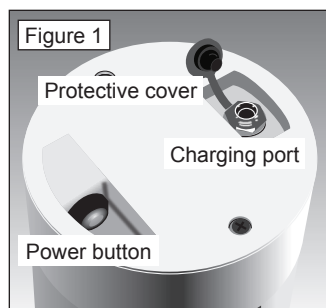
Short-Circuit Protection:

Output can be shorted without damage

Charging the Twilight Golf Cup (TWGC)

Prior to initial use, the TWGC should be fully charged to ensure expected illumination time.

1. Turn the TWGC over and place the power button into the “Charge” (out) position.
2. Remove the protective cover from the TWGC charging port (Figure 1).
3. With AC adapter unplugged, plug the charger cable into the TWGC charging port (Figure 2).
4. Plug AC adapter into wall outlet. “Unit X” LED will indicate various charge operations as shown below.
5. Charge TWGC in a well-ventilated area. Do not place charger on or near heat-producing sources when charging TWGC.



LED Color	Meaning
Red	Charge-in-process
Green	Charge complete, maintenance mode
Off	Charge suspended, timer fault, overvoltage, sleep mode, or battery absent

- **Charge suspended:** Possible battery overheating or damage – reset by disconnecting unit and allow cooling. If continued, replace battery pack.
- **Overvoltage:** Battery voltage high, or damaged battery – reset by disconnecting unit. If continued, replace battery pack.
- **Sleep mode:** Reset by disconnecting and connecting unit. LED will indicate Red or Green.
- **Battery absent:** Connect unit. LED will indicate Red or Green.